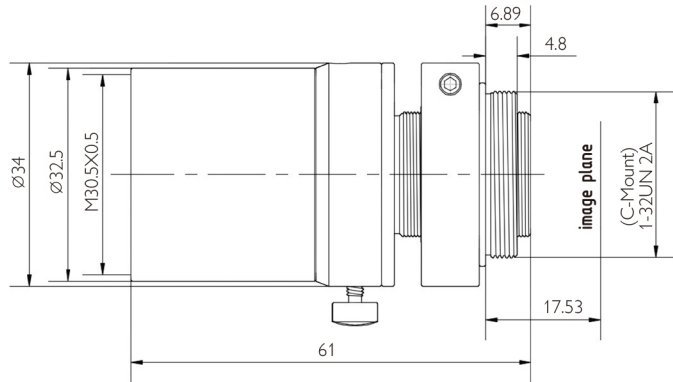
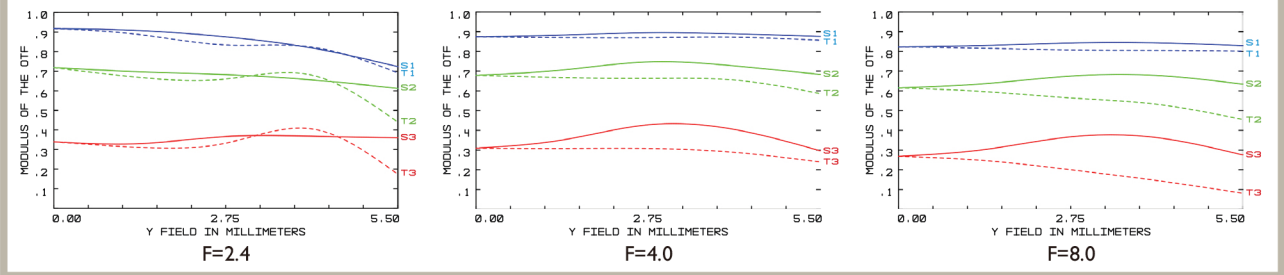


BLADE-2.4/17-C3.5-16

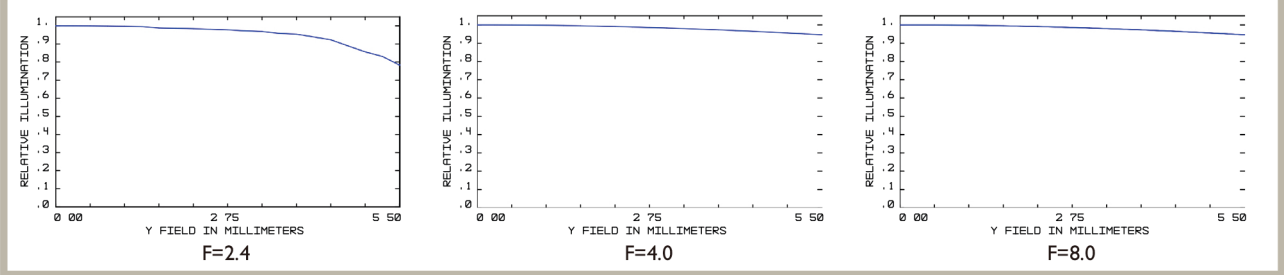


Model	Focal Length	Image Circle	MaxD	Magnification	Resolution	Mount	Working Distance	Filter
BLADE-2.4/17-C3.5-16	17mm	1" (Ø16mm)	Ø25.3mm	0X~0.25X	3.45umX3.45um	C□	∞~55mm	M30.5x0.5

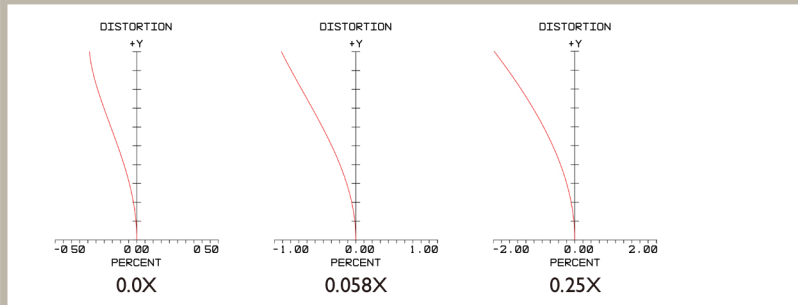
1. Modulation to Relative Image Height/Magnification:0.058



2. Relative Illumination



3. Distortion



4. Transmittance

